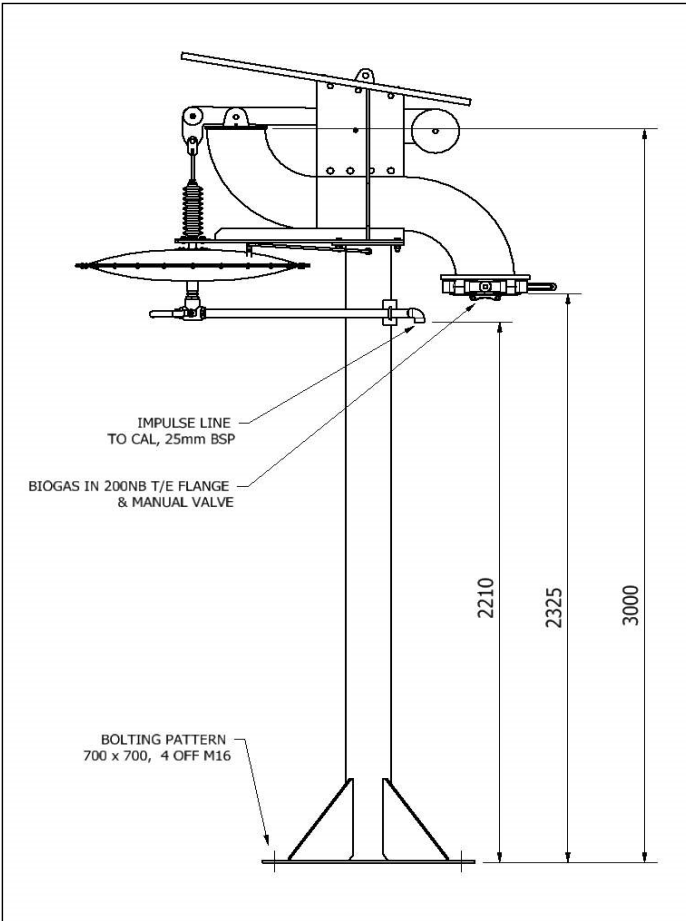


CAL BIOGAS RELIEF VALVE



FEATURES

- The system is factory tested, no site commissioning required
- Does not require frequent inspection
- No services required
- Set pressure is adjusted by simply adding or removing weights provided
- Set pressure can be checked by counting the installed weights
- Easy to see if the valve is sealed or venting
- Low cost
- Reliable

DESCRIPTION

The valve is opened via the CAL pressure operating on a large weighted diaphragm assembly. The sealing force is proportional to the difference between the set pressure and the CAL pressure. A separate 25mm impulse line is used to connect the CAL to the diaphragm to avoid the cyclic opening and closing. This increases the capacity of the valve to quickly reduce the CAL over pressure.

The stand is manufactured from mild steel, hot dipped galvanised and the valve head is full stainless steel.

Estimated maximum flows from the relief valve. These flows are with the vent wide open:
i.e. CAL pressure >>S.P.

| Pa | m3/h |
|----|------|
| 20 | 243 |
| 40 | 343 |
| 60 | 421 |
| 80 | 486 |

Energy 360 Pty Ltd
2/2 Access Way
Carrum Downs, VIC, 3201
Tel +613 9770 8545
Fax +613 9770 8546
email: info@energy360.com.au
web: www.energy360.com.au

